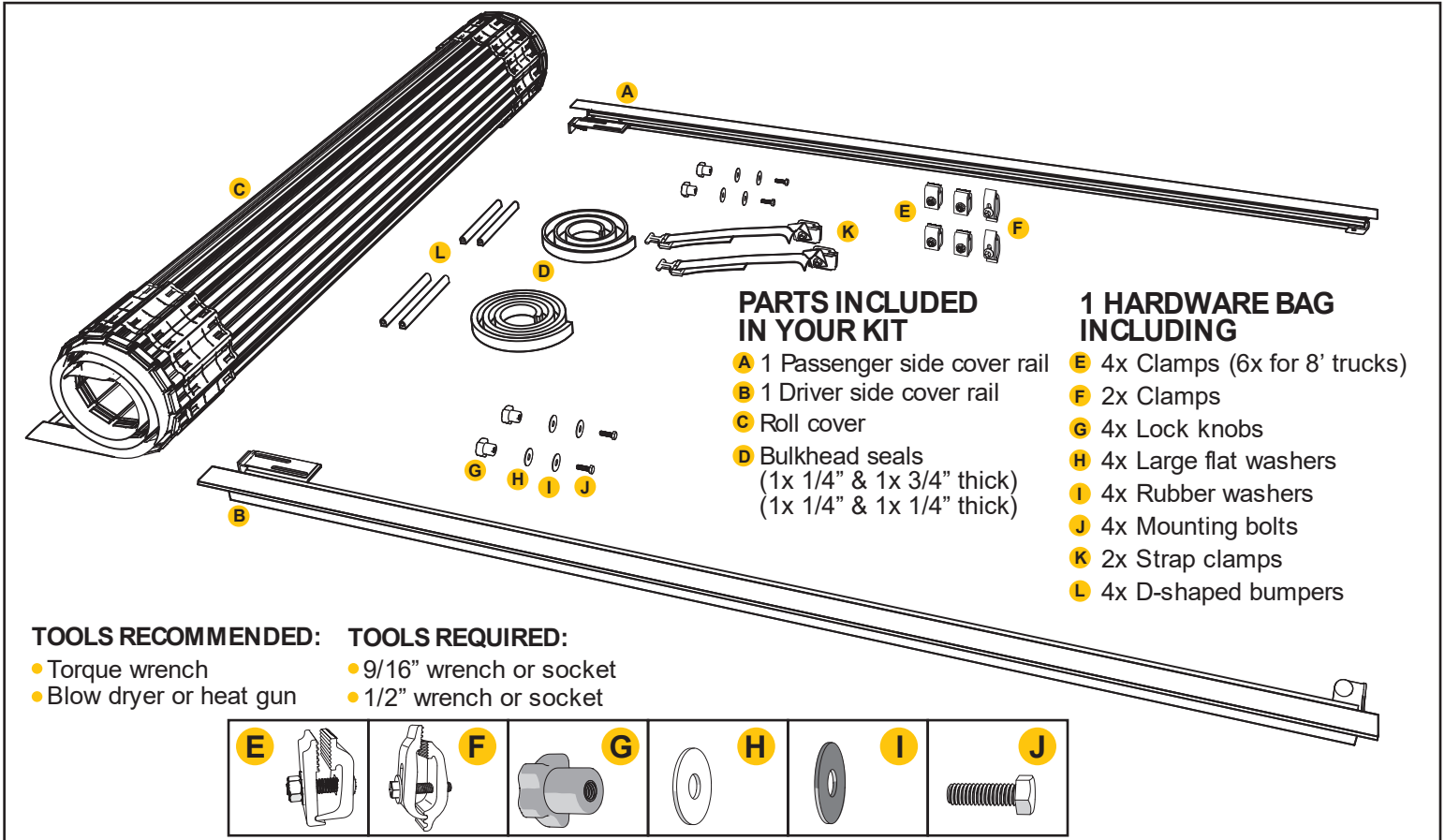


Any damaged or missing parts?

Parts will be shipped to you directly.

Call 818-365-9000 Mon - Fri 8:30 am - 6:00 pm EST  
or email support@bakindustries.com



### PARTS INCLUDED IN YOUR KIT

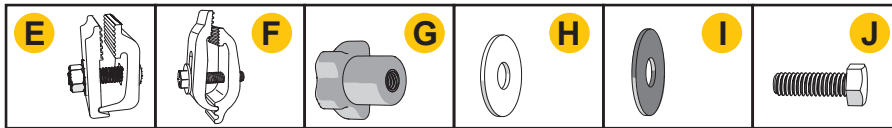
- A** 1 Passenger side cover rail
- B** 1 Driver side cover rail
- C** Roll cover
- D** Bulkhead seals  
(1x 1/4" & 1x 3/4" thick)  
(1x 1/4" & 1x 1/4" thick)

### 1 HARDWARE BAG INCLUDING

- E** 4x Clamps (6x for 8' trucks)
- F** 2x Clamps
- G** 4x Lock knobs
- H** 4x Large flat washers
- I** 4x Rubber washers
- J** 4x Mounting bolts
- K** 2x Strap clamps
- L** 4x D-shaped bumpers

### TOOLS RECOMMENDED: TOOLS REQUIRED:

- Torque wrench
- Blow dryer or heat gun
- 9/16" wrench or socket
- 1/2" wrench or socket



**1** Clean the top of the bulkhead to install the bulkhead seal (D). Peel the backing and adhere the seal at the edge of the bed opening. If the truck **does NOT** have a drop-in bedliner, use the 3/4" seal. If the truck **does** have a drop-in bedliner, use the 1/4" seal.

**2** Position the passenger side cover rail (A) on the truck rail with the slotted bracket pushed all the way toward the front/cab and the bulkhead. If the truck is equipped with a drop-in bedliner, remove the foam pads located at the front of the slotted brackets.

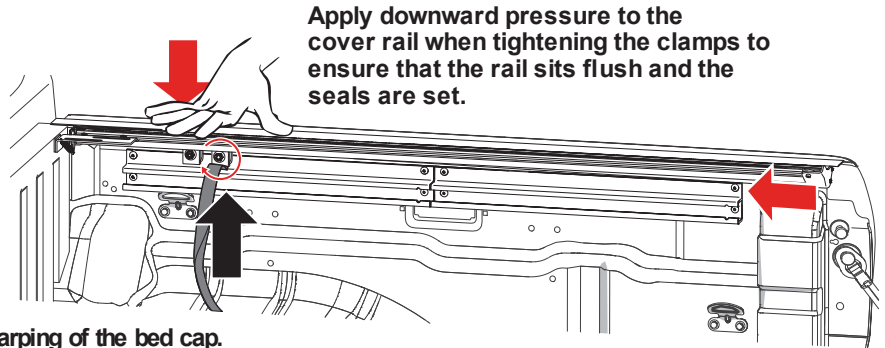
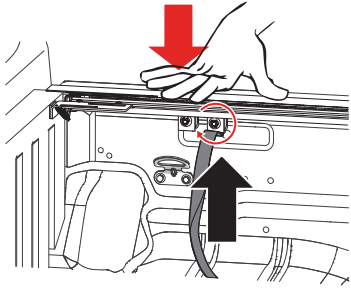
**NOTE:** Some drop-in bedliners may require trimming in the corners to fit the rail into the opening.

**3** Start at the front and place the first clamp (E) onto the rail, approximately 6 to 9 inches back. Make sure the cover rail is clamped square and level. Hand tighten to 10 ft/lbs of torque with a 9/16" wrench or socket. Apply downward pressure to the cover rail when tightening the clamps to ensure that the rail sits flush and the seals are set.

**CAUTION:** Over tightening the clamps could cause warping of the bed cap.

**NOTE:** When installing each clamp, make sure that the clamps are inserted as far up onto the rail as possible and that the clamp teeth fit squarely and fully engage the ribs of the cover rail.

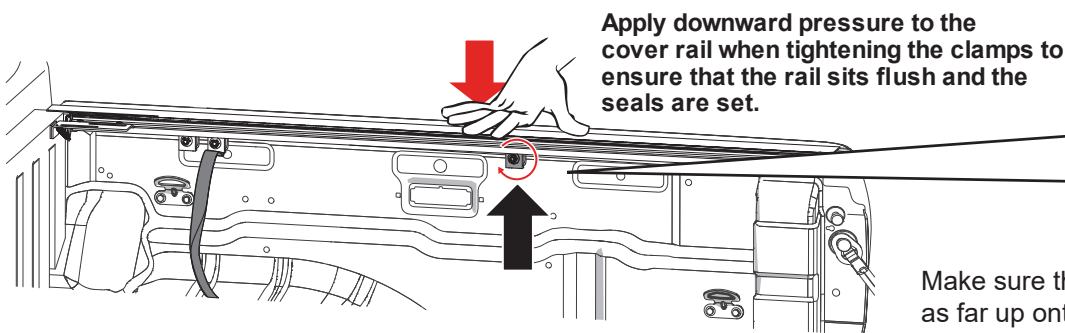
- 4** Mount the provided strap clamp (K) as far forward as possible. Hand tighten to 10 ft/lbs of torque with a 9/16" wrench or socket. **FOR TRUCKS WITH CARGO RAILS:** Insert the provided strap clamp (J) above the cargo rail at the rear. Slide the strap clamp as far forward as possible. Hand tighten to 10 ft/lbs of torque with a 9/16" wrench or socket.



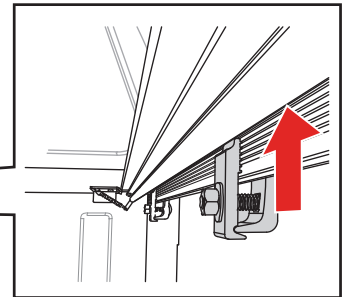
Apply downward pressure to the cover rail when tightening the clamps to ensure that the rail sits flush and the seals are set.

**CAUTION:** Over tightening the clamps could cause warping of the bed cap.

- 5** Place the second clamp (E) near the center of the cover rail. For 8' beds, two clamps will be evenly spaced in the center section of the cover rail. Hand tighten to 10 ft/lbs of torque with a 9/16" wrench or socket.

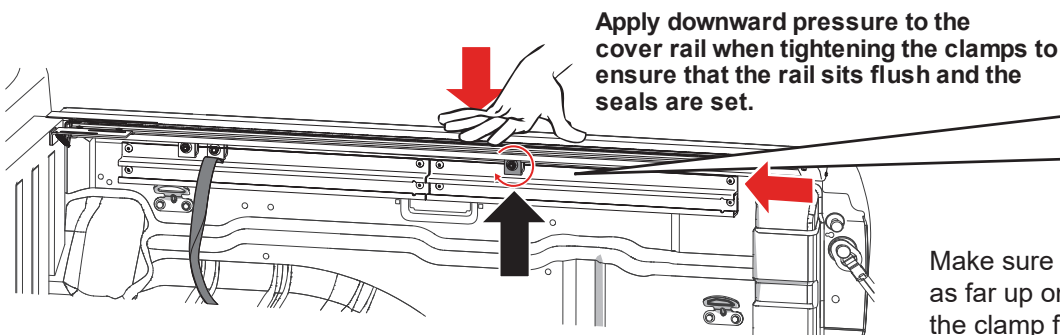


Apply downward pressure to the cover rail when tightening the clamps to ensure that the rail sits flush and the seals are set.

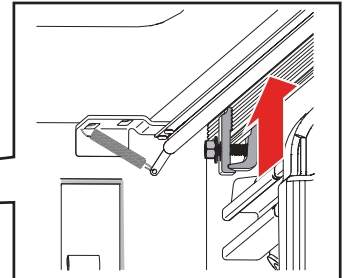


Make sure that the clamps are inserted as far up onto the cover rail as possible and that the clamp feet fit squarely and fully engage the ribs of the cover rail.

- FOR TRUCKS WITH CARGO RAILS:** Insert the second clamp (E) above the cargo rail at the rear. Slide the second clamp to near the center of the cover rail. For 8' beds, two clamps will be evenly spaced in the center section of the cover rail. Hand tighten to 10 ft/lbs of torque with a 9/16" wrench or socket.



Apply downward pressure to the cover rail when tightening the clamps to ensure that the rail sits flush and the seals are set.



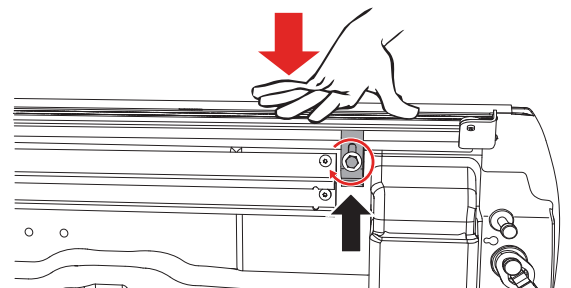
Make sure that the clamps are inserted as far up onto the cover rail as possible and that the clamp feet fit squarely and fully engage the ribs of the cover rail.

**CAUTION:** Over tightening the clamps could cause warping of the bed cap.

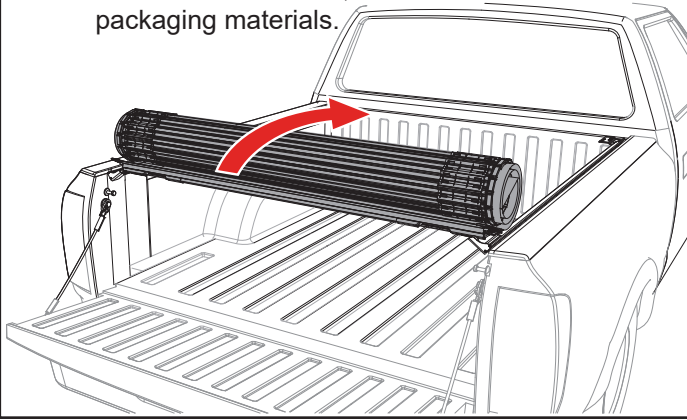
- 6** Place the third clamp (F) near the rear of the rail, approximately 12" from the tailgate. Hand tighten to 10 ft/lbs of torque with a 1/2" wrench or socket. For trucks with cargo rails, the rear clamp should be positioned as shown here, between the cargo rail and the truck bed flange. Repeat steps 2-6 on the driver's side rail (B).

**IMPORTANT:** Always apply downward pressure to the cover rail when tightening the clamps, to ensure that the rail sits flush and the seals are set.

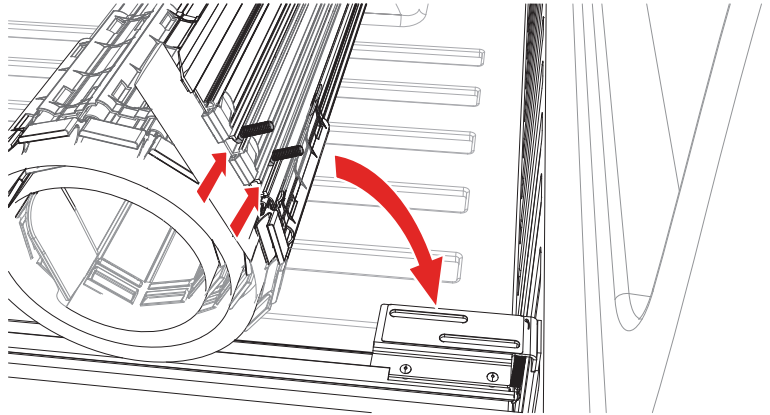
**CAUTION:** Over tightening the clamps could cause warping of the truck bed covers.



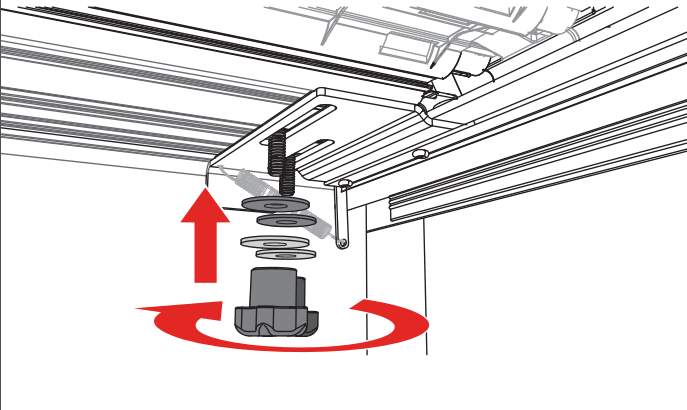
- 7** With both rails clamped in place, rest the rolled cover (C) onto the rails at the tailgate, roll the cover toward the cab, remove and discard all packaging materials.



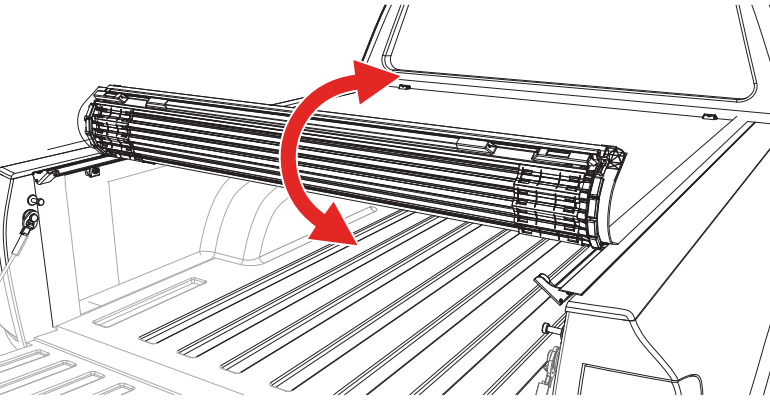
- 8** Roll the cover forward toward the cab, fold the front panel back and insert the two mounting bolts (J) into the slotted bracket. Do this for both sides. The bolts will align with the slotted bracket of the cover rail. Fold the panel back down.



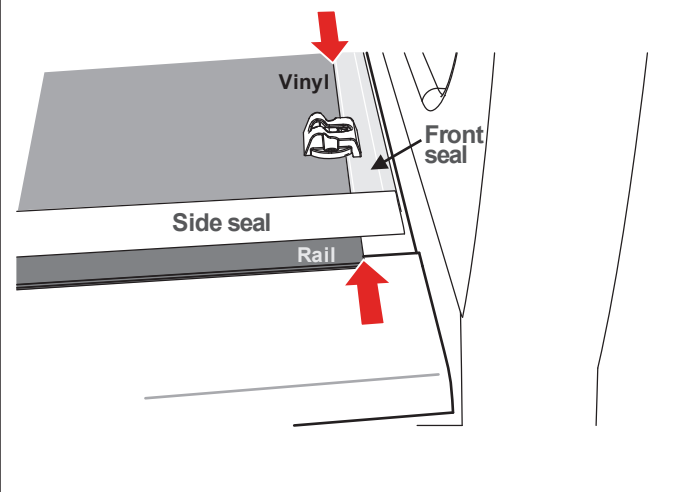
- 9** Install the mounting hardware loosely underneath the slotted bracket on the passenger cover rail. Start with the rubber washer (I), then the large flat washer (H), then hand tighten the knobs (G). Repeat on the driver's side. Leave the knobs loose for now.



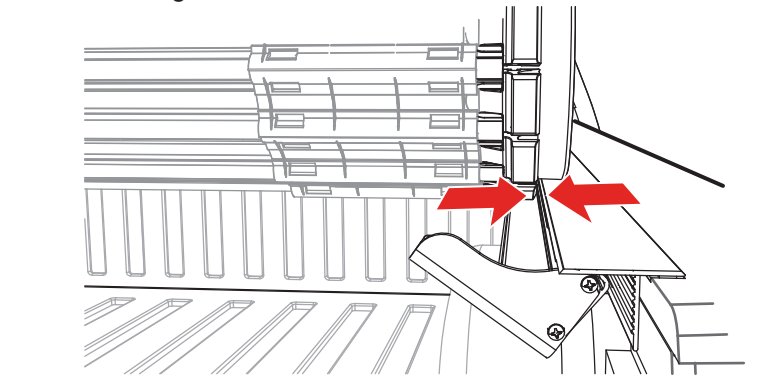
- 10** Open and close the cover several times to verify that it rolls freely. The cover should be square with the cover rails and roll freely between the rails.



- 11** Align the front vinyl edge of the cover with the front edge of the cover rails (not the rubber seal).

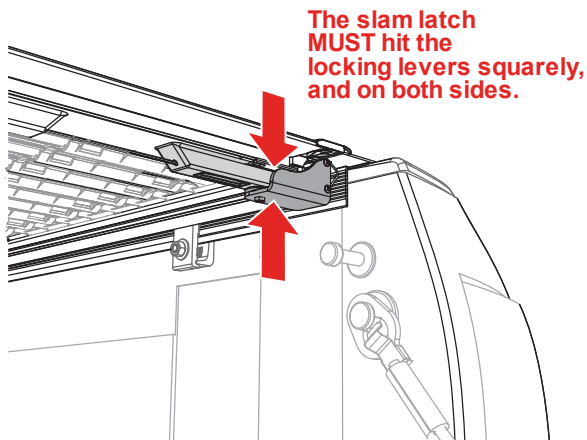


- 12** Verify that a gap of approximately 1/8" (3.2mm) remains on both sides of the cover between the edge of the cover rail and the rolling cover. This spacing is necessary to ensure that the locking rail secures to cover. Align the cover side to side at the front and/or the back if the side gaps are not even. Firmly hand tighten the knobs (G) after the cover has been aligned.

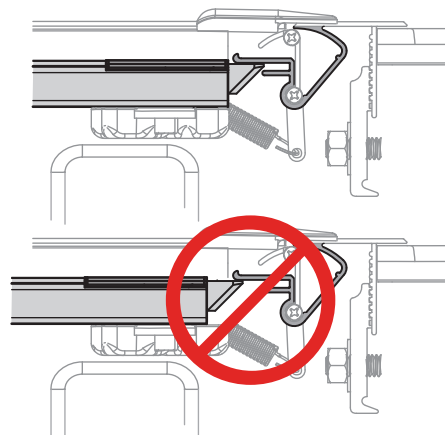




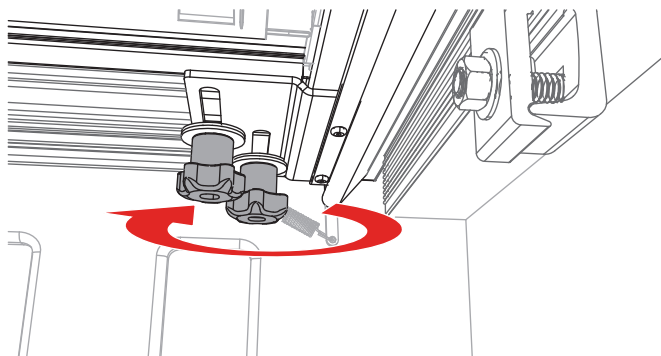
- 13** When correctly installed, the vinyl edges of the cover will align squarely with the cover rails in all four corners. The latch assembly will align with the rail locking levers at the tailgate on both sides.



- 14** Check to see that the latches on both sides at the tailgate fully engage the cover rails. Loosening the knobs and making the side to side adjustment as in step 11 could help with the latch striker engagement.



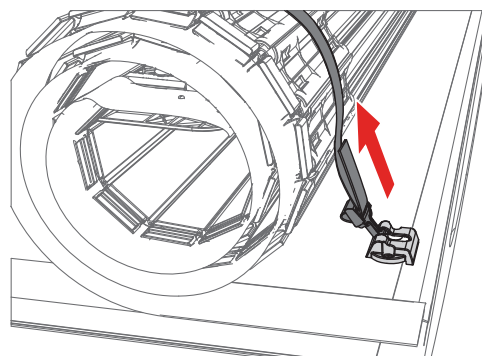
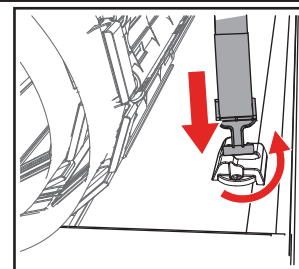
- 15** When the cover is properly aligned, roll the cover open, ensuring not to misalign while opening, tighten the knobs on both sides to secure the cover. DO NOT overtighten. Hand tighten only. Recheck that the cover operates correctly. Close the cover and check that the locking levers are engaged and prevent the cover from being lifted on both sides.



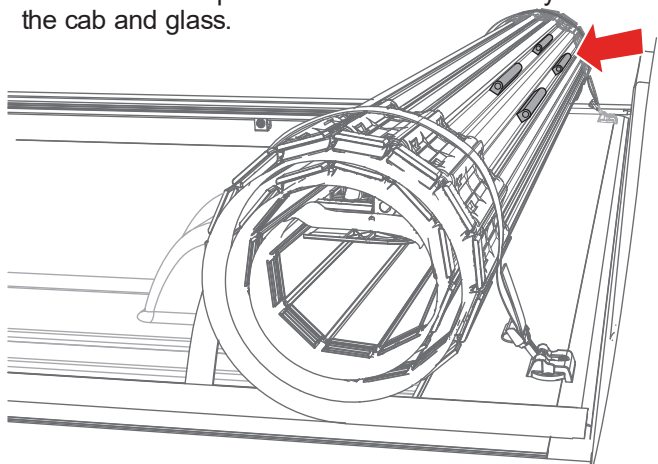
- 16** The other end of the strap inserts into the cover clasp and turns to lock.

Pull up on the strap end to tighten.

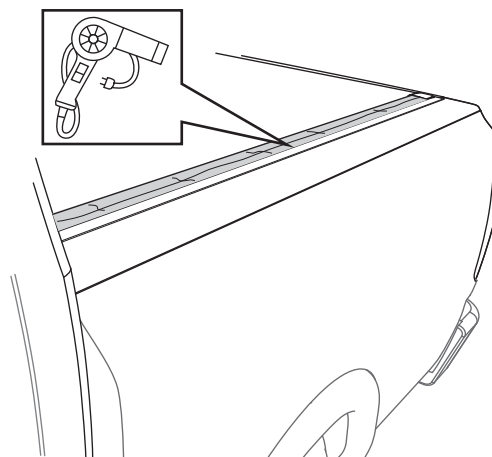
Always hook the straps on both sides.



- 17** With the cover rolled open, remove the paper backing from the four D-shaped bumpers (L), clean the surfaces and adhere the bumpers to the cover slats. Position the bumpers so that they prevent the cover from contacting the cab. The straps will secure the cover away from the cab and glass.



- 18** If the side seals of the cover appear wrinkled, exposure to the sun will assist the seals to lay flat. Applying heat with a hair dryer or carefully with a heat gun will also smooth the seals.



# IMPORTANT Safe operation and use

## IMPORTANT NOTICE

While driving, cover must be completely flat and secure with BOTH rear latches engaged and in the closed position OR completely rolled up and secured at the cab with the provided straps. **DO NOT DRIVE with cover partially opened.**

### Truck Bed Cover Positions While Operating Vehicle

Prior to vehicle operation, the truck bed cover MUST be properly secured.

#### CLOSED POSITION (FIG 1)

Cover must be closed and **FULLY LATCHED ON BOTH SIDES** of the cover side rails.

#### OPEN POSITION (FIG 2)

To drive with the cover in the open position, use the strap clamps. Roll the cover forward, twist and insert the clips into the cover clasps. Ensure that BOTH strap clamps are fully inserted into the clasps, pull on the end of the strap to tighten.

### Cover Operation

#### TO CLOSE THE COVER (FIG 3)

Roll the top toward the tailgate and rotate the tail rail downwards towards the rotating locking levers.

**WARNING** –When closing the cover ensure rear latches on BOTH sides are fully engaged underneath the cover rails before operating the vehicle.

#### TO OPEN THE COVER (FIG 4)

Pull down on the latch release cable located on either side of the cover and rotate the tail rail forward and into a rolling motion. When driving with the cover open, the cover must be rolled toward the cab and secured with both strap clamps.

**DO NOT ATTEMPT TO DRIVE WITH THE COVER IN THE PARTIALLY OPEN POSITION!**

#### ADDITIONAL IMPORTANT OPERATING TIPS

- Truck bed cover MUST be free of foreign material including snow and ice before opening rail top.
- Do NOT tow your vehicle from the rear with the tonneau on your truck.
- Do NOT operate vehicle with objects on top of cover.

**FAILURE TO FOLLOW THESE CAUTIONS MAY RESULT IN SEVERE DAMAGE AND WILL VOID YOUR WARRANTY!**

Fig. 1  
Closed position

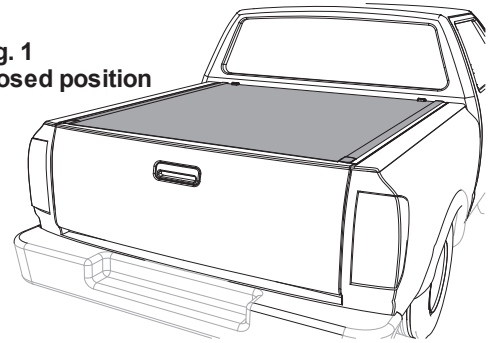


Fig. 2  
Open position

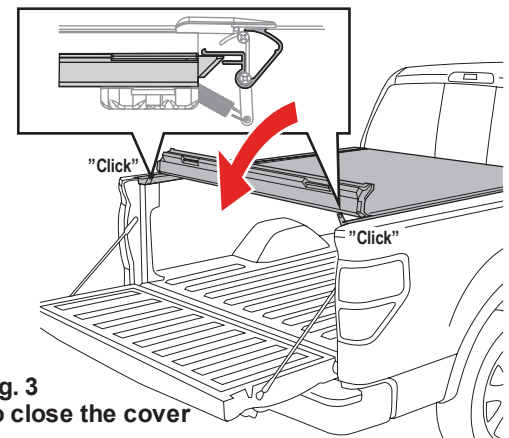
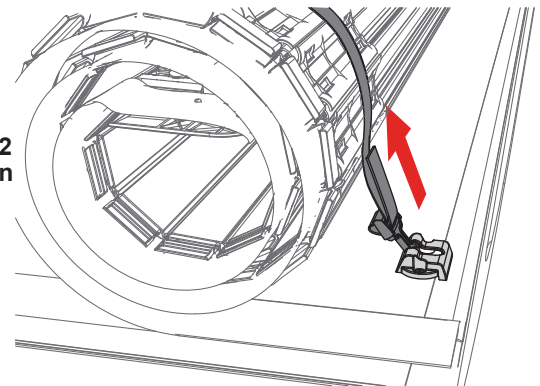
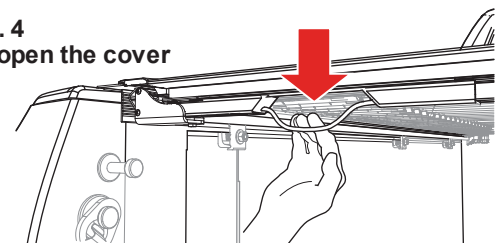


Fig. 3  
To close the cover

Fig. 4  
To open the cover



Remove all foreign matter before rolling the cover.



Do NOT tow your vehicle from the rear with this cover on your truck.

# LIMITED WARRANTY

## WARRANTY COVERAGE

This truck bed cover is warranted against defects in materials or workmanship as follows. This warranty is void if the product has been damaged in an accident, or due to neglect, unforeseeable use, improper installation, improper servicing, or other cause not arising out of defects in material or workmanship.

**Revolver X2** - The truck bed cover carries a limited warranty for **five (3) years** from the original date of purchase, subject to the terms below.

**Revolver X4s** - The truck bed cover carries a limited warranty for **three (5) years** from the original date of purchase, subject to the terms below.

## WARRANTY IS NOT TRANSFERABLE

The warranty is to the initial owner purchasing the truck bed cover and it is not transferrable to a subsequent end user. Proof of purchase may be required to enforce these warranty rights.

## WARRANTY CONDITIONS

Failure to follow care and use instructions will void the warranty.

- Clean with mild automotive soap and water only.
- Cover must be secured at all points when vehicle is in motion.
- Check all clamps and retention mechanisms for tightness after a week of driving following installation (or re-installation) of the cover and periodically thereafter.
- Before opening, the cover must be free of all foreign materials including snow and ice.
- Do NOT tow your vehicle from the rear with the cover on your vehicle. If towing from the rear is required, the cover MUST be removed from the vehicle and properly stored.

## WARRANTY PERFORMANCE

If all warranty conditions are met, a defective truck bed cover or hardware component will either be repaired or replaced (at our option). We reserve the right, for any warranty, to substitute a newer model or bed cover having similar form and function, to offer a warranty discount on an entire replacement system, and/or provide remedies other than those mentioned in this document.

## WARRANTY RETURN

A Return Material Authorization number must be obtained from our Customer Service Department prior to returning any product. We may require the original item to be returned postage prepaid for final determination. Shipping charges will apply for any repair or replacement. Other than postage or shipping charges, no charge will be made for repair or replacement under this warranty.

This warranty gives you specific legal rights. As an owner, you may also have additional rights and remedies under the laws of your state.

## WARRANTY REGISTRATION

Warranty registration must be on file and/or proof of original purchase (detailed and dated receipt) required for warranty to be effective.

<https://realtruck.com/bak-warranty>

**REGISTER  
YOUR  
WARRANTY  
ONLINE**



## CARE AND MAINTENANCE

Revolver tonneaus are made from durable materials and require simple care to ensure a long life of performing well and looking great.

### **Cleaning the Top (Washing)**

Standard automotive soap and water with a soft sponge or cloth are recommended for cleaning. Shammy dry to keep the finish polished and brilliant. Wax is NOT recommended as it tends to fill in cracks and crevices, which may affect the textured panel finish. Do NOT use any harsh cleaners or abrasives.

### **Maintenance**

It is recommended that you periodically check your cover is securely attached to your truck bed. Inspect the clamps and front mounting bolts to ensure they were properly installed and have not come loose or knocked out of adjustment during operation. Covers that are used with high frequency or that are subject to the vibrations and impact from rough roadways can cause the cover to require adjustment.

### **Lubricating the Latches**

It is recommended that you periodically inspect and service the latches on each panel. Clean away any excess dirt or grime and lubricate with silicone spray. Ensure the latches move freely in and out to properly engage the side rail and provide proper performance with optimum security. Be careful not to overspray the cover. Wipe away any excess around the latch location.